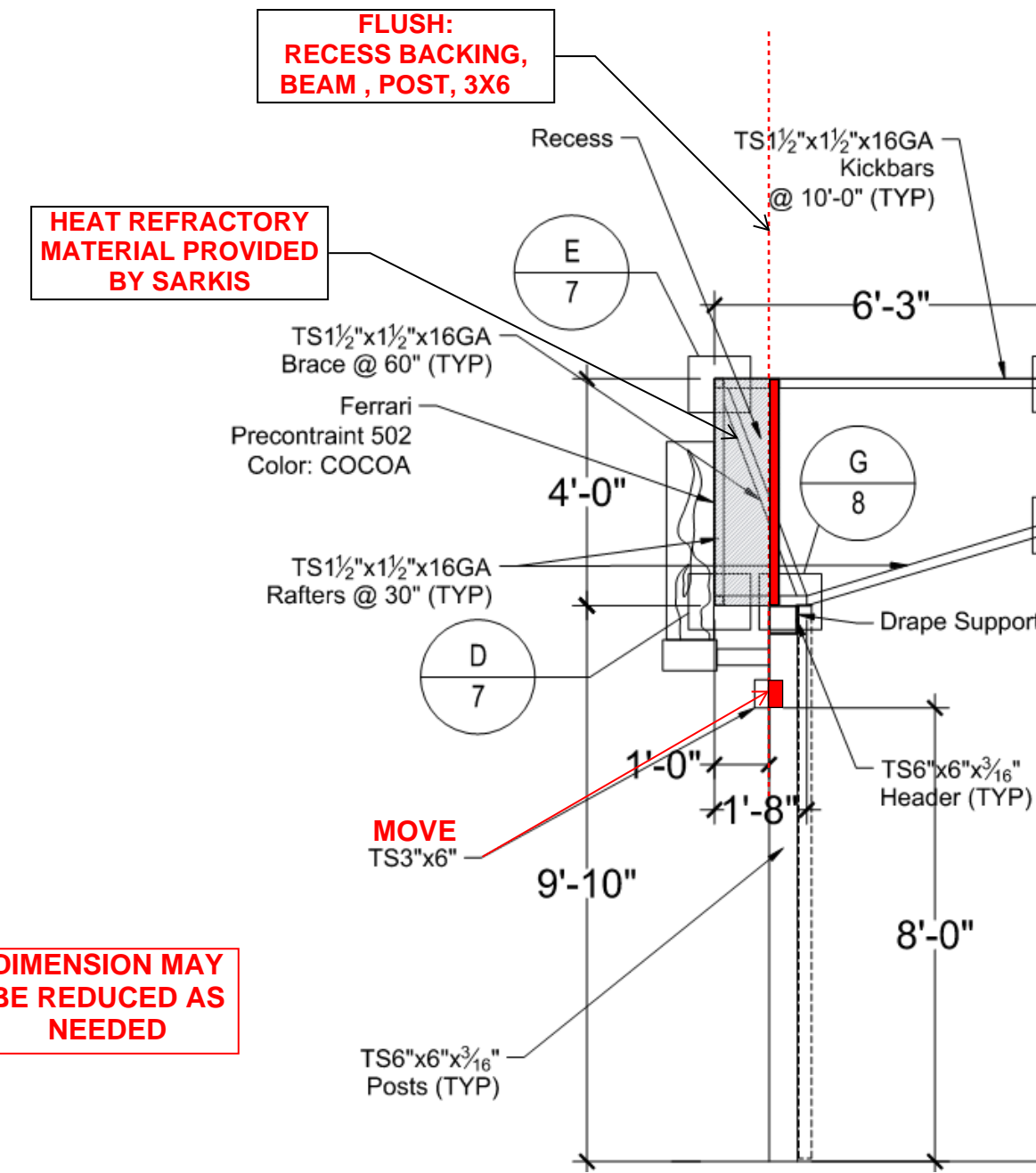
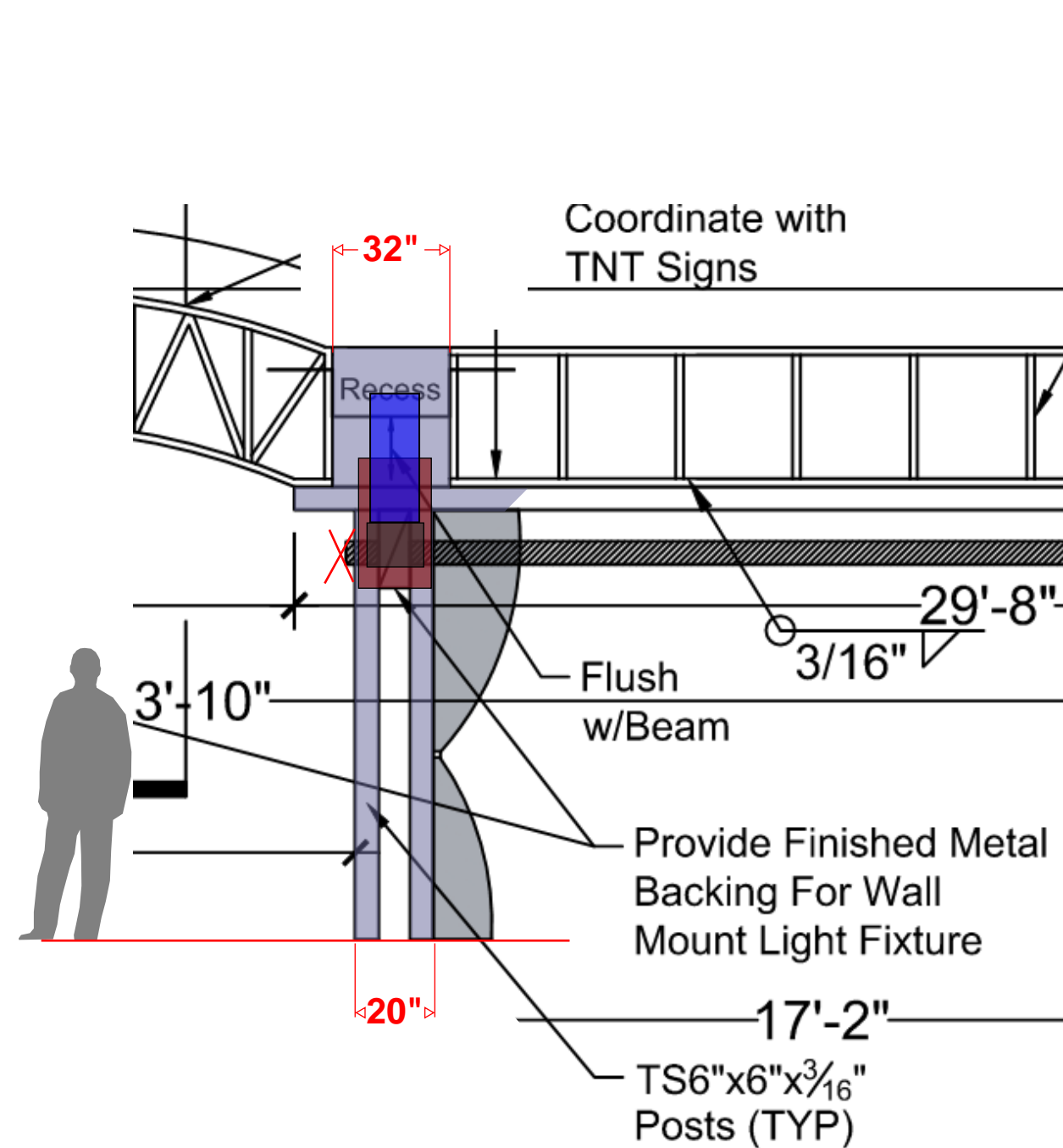


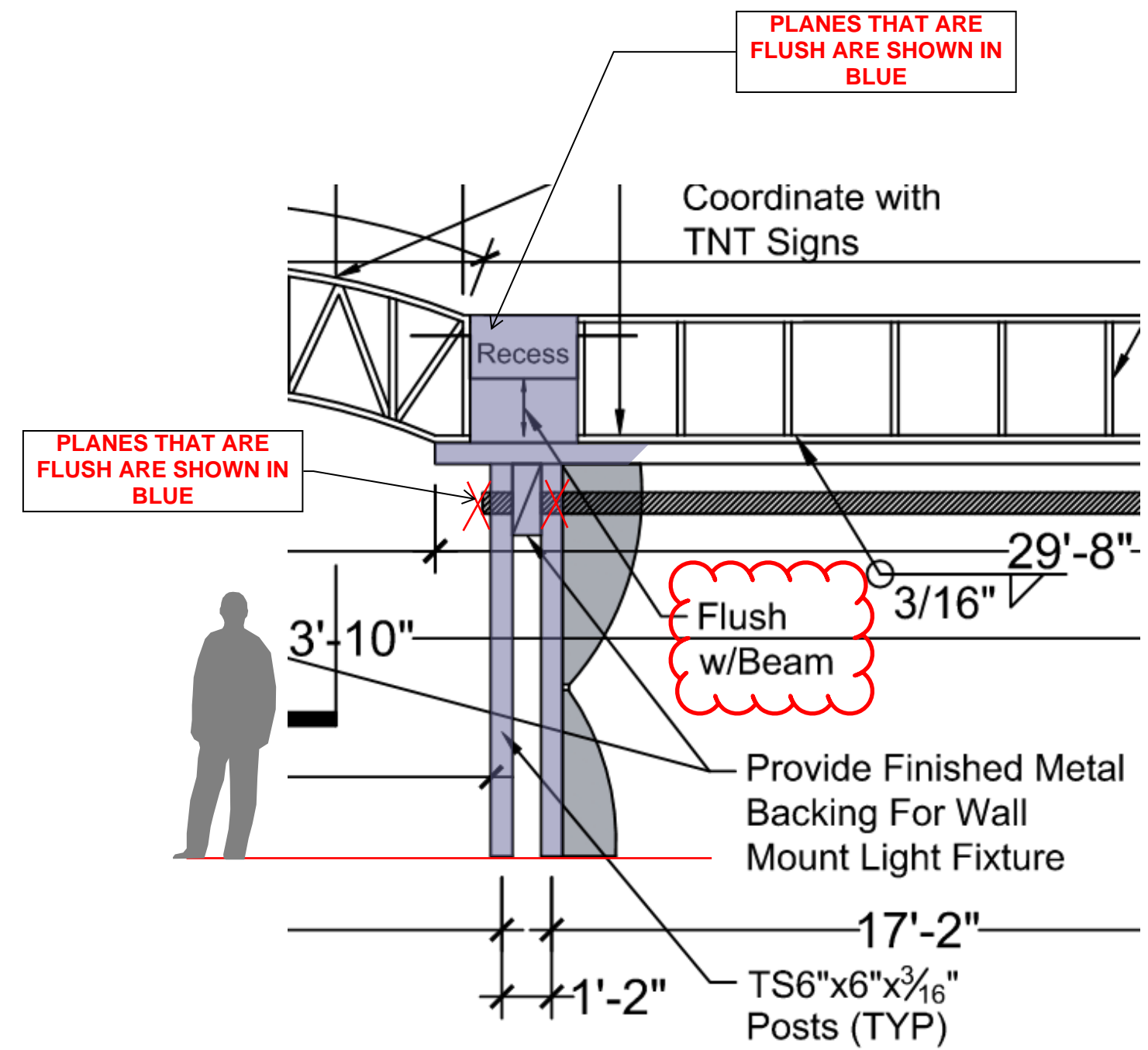
**GAS LAMP FIXTURE ELEVATIONS - DESIGN INTENT**



**SECTION AT FIXTURE / RECESS**



**ELEVATION WITH FIXTURE**



**ELEVATION WITHOUT FIXTURE**