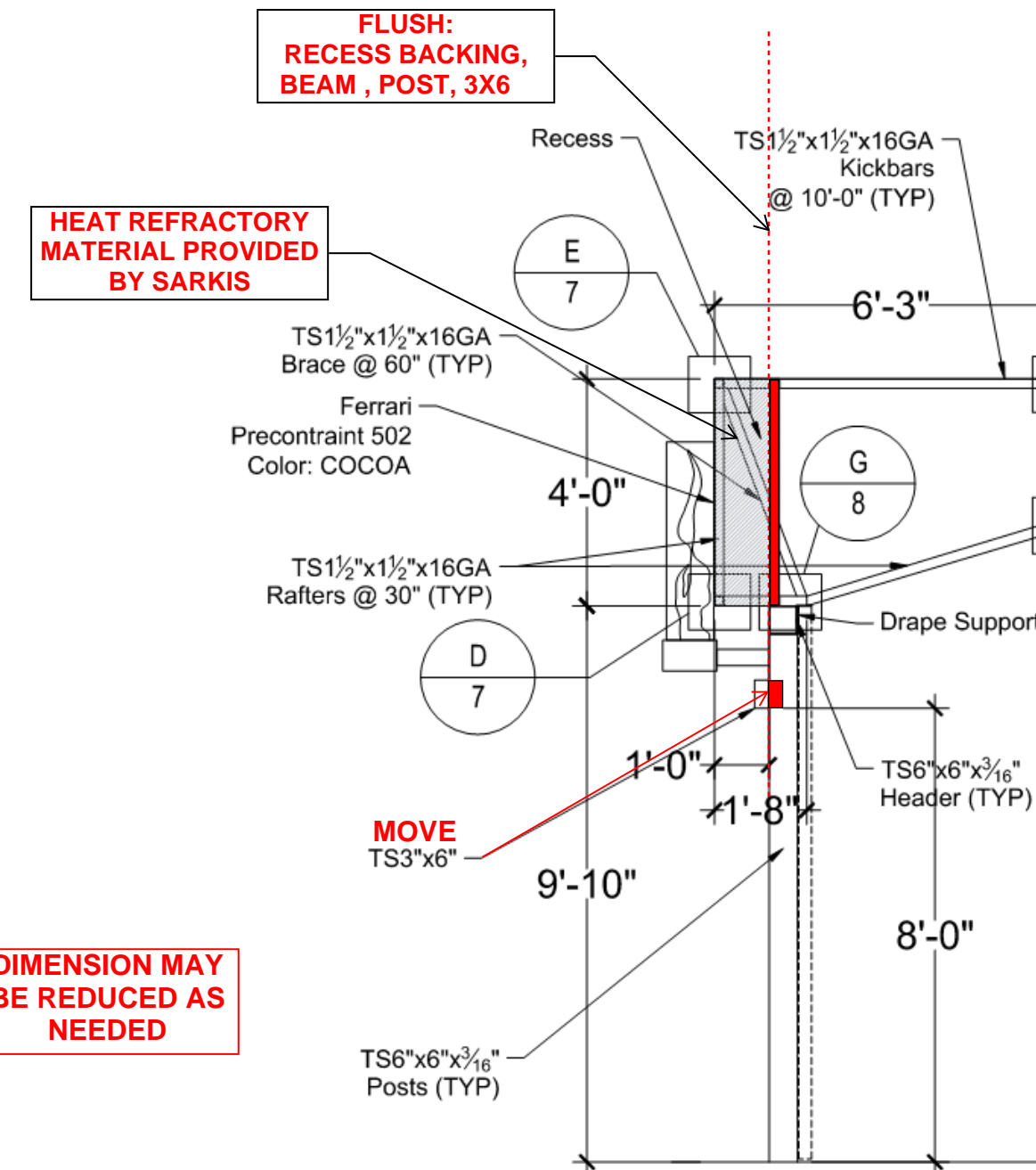
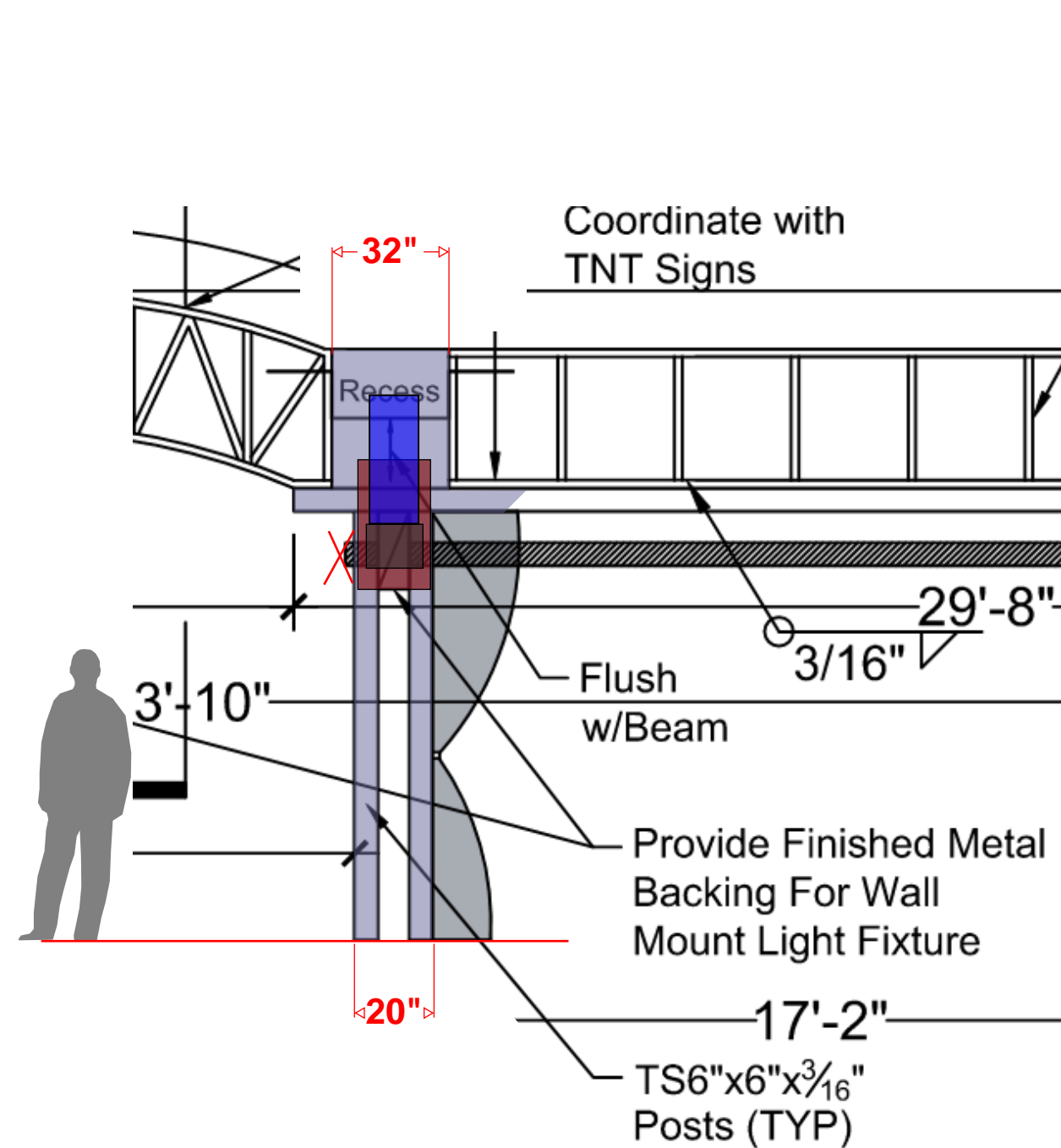


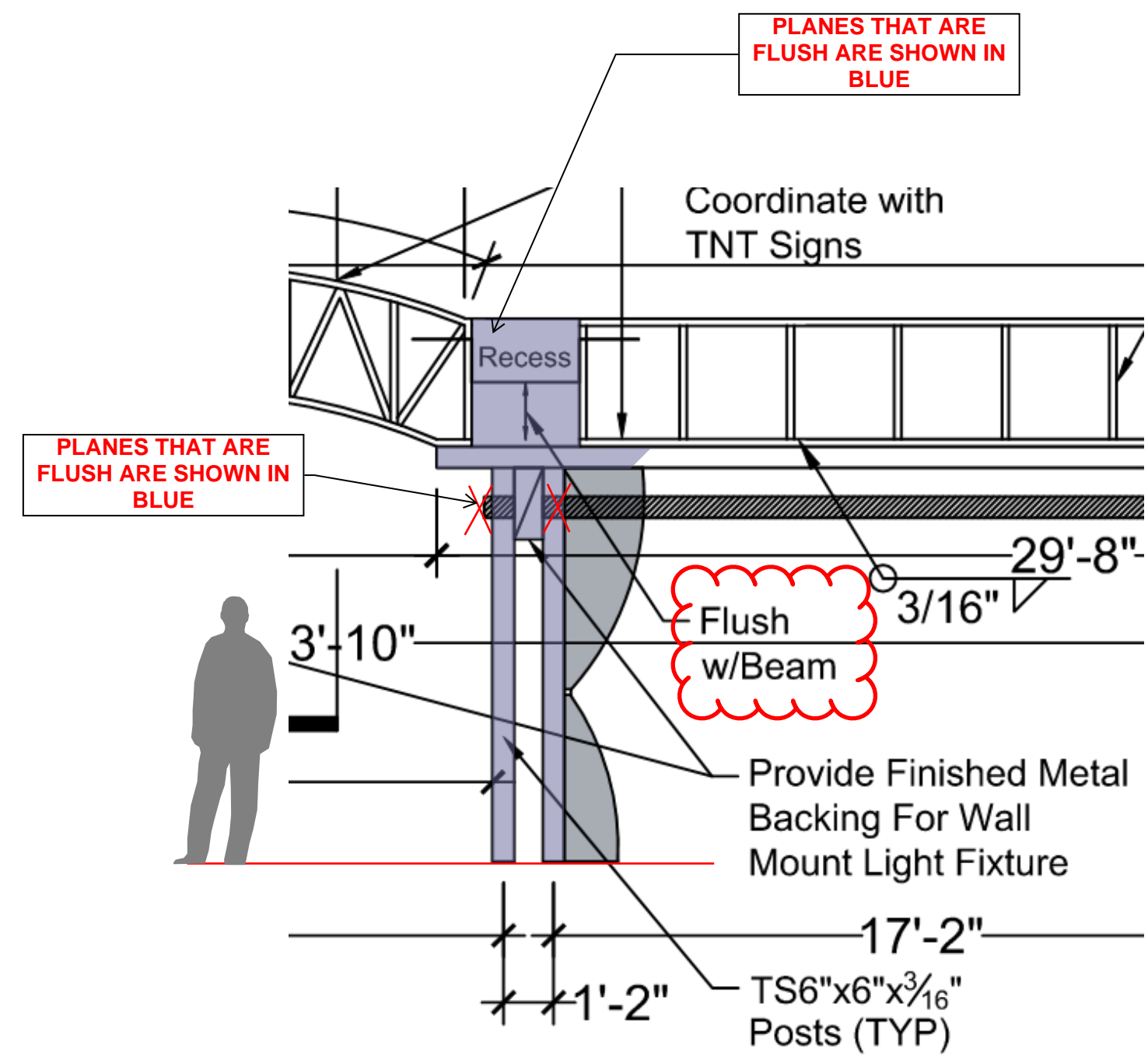
GAS LAMP FIXTURE ELEVATIONS - DESIGN INTENT



SECTION AT FIXTURE / RECESS



ELEVATION WITH FIXTURE



ELEVATION WITHOUT FIXTURE